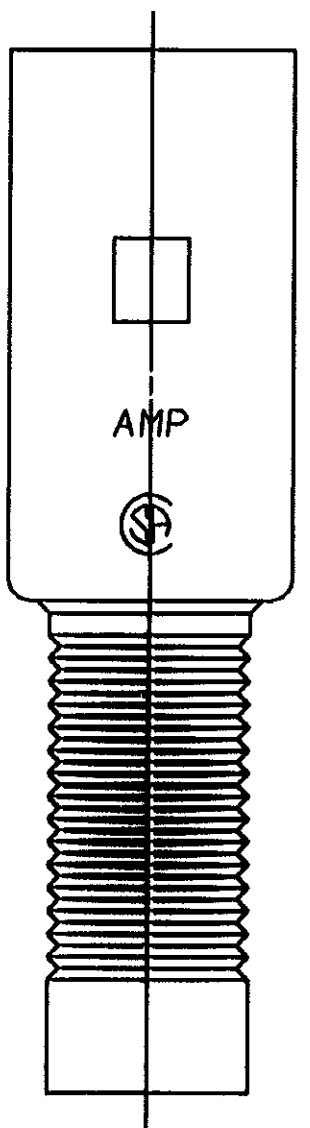
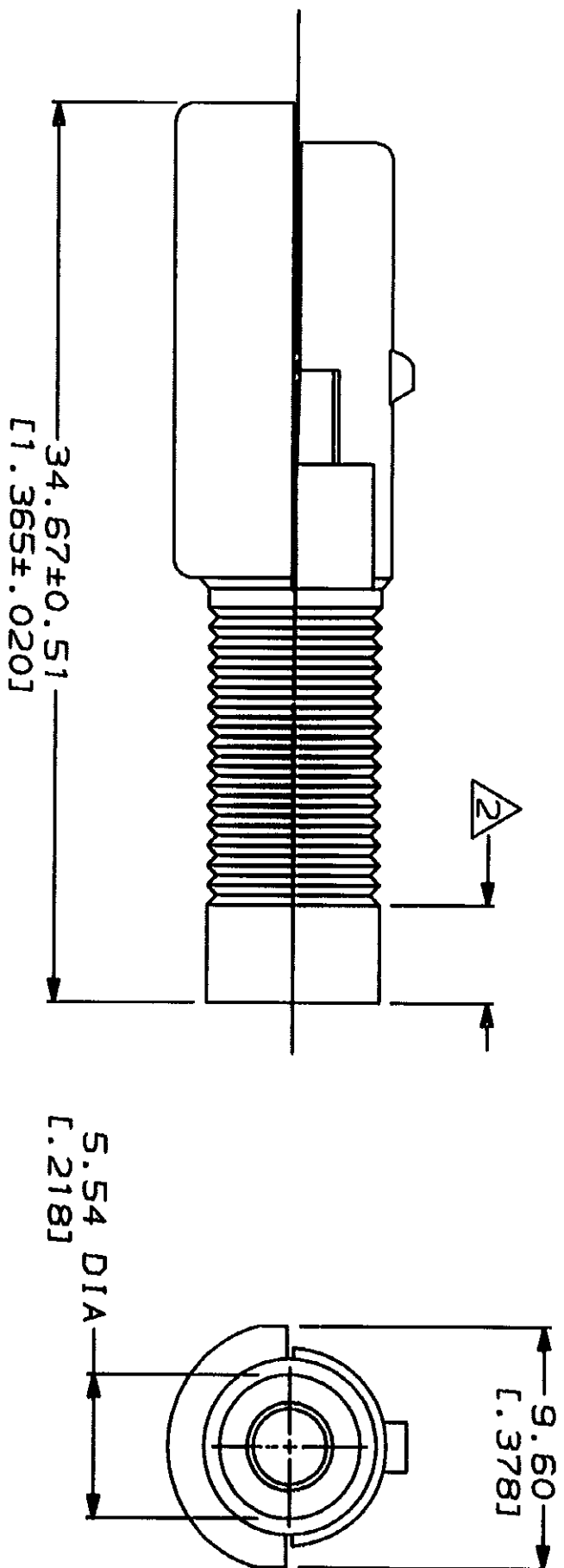


DRAWING MADE IN THIRD ANGLE PROJECTION

THIS DRAWING IS UNPUBLISHED. RELEASED FOR PUBLICATION BY AMP INCORPORATED. ALL INTERNATIONAL RIGHTS RESERVED.

MOD 1 LOC BD DIST 37

REVISIONS		DATE	APPRO
P	F ZONE	LTR	
		E	REDDRAWN
		E1	REV PER EC 0020-521-93
		05/03/93	AT



211076-1
PART NUMBER

- PRODUCT PERFORMANCE IN COMPLIANCE WITH APPLICABLE PORTIONS OF AMP PRODUCT SPECIFICATION 108-10033.
- SERRATIONS IN THIS AREA OPTIONAL.

DO NOT SCALE PRINT. UNLESS SPECIFIED DIMENSIONS IN INCHES TOLERANCES ON: 2 PLG DEC ± 0.25(.010) 3 ANGLES		DR 8-16-91 J GALLUCCI BS	AMP AMP Incorporated Harrisburg, PA 17105-3608
MATERIAL NYLON, RED		CHK 9-23-91 J.MOULINTW	
FINISH		APPD 9-23-91 A. TRAVIS	NAME HERMAPHRODITIC SINGLE
APPLICATION SPEC		PRODUCT SPEC	POSITION HOUSING, SPECIAL METRIMATE
WEIGHT	SCALE	SIZE	CAGE CODE
-	4:1	B	00779
			DRAWING NO
			211076
			SHEET
			1 OF 1

AMP 1470-15 REV 11-89
03 MAY 1993 15:19:32 amp25061 /home/sc026e/dt4023/amp25061/ec0521

CUSTOMER DRAWING